

PROLINE SINGLEFIX-V MOUNTING KIT

INSTALLATION GUIDE

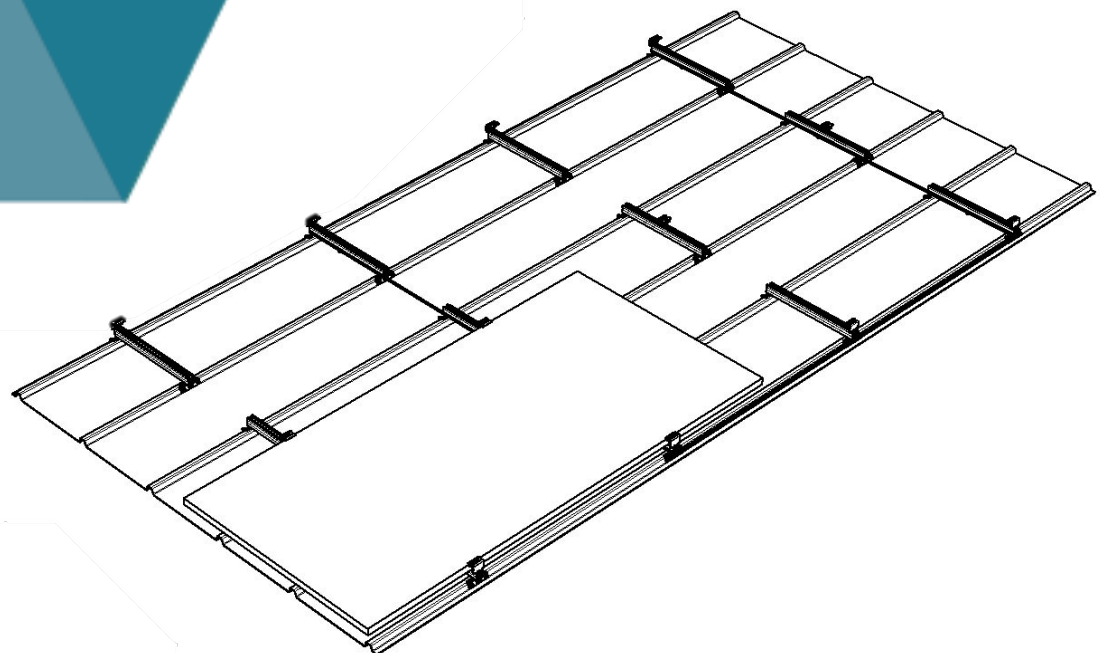


Table of contents

PROLINE SINGLEFIX-V MOUNTING KIT INSTALLATION GUIDE.....	3
TOOLS NEEDED	3
FURTHER REQUIRED DOCUMENTATION	3
TIGHTENING TORQUE.....	3
SAFETY INSTRUCTIONS	3
Installation	4
1. DEFINE THE MOUNTING AREA	4
2. DEFINE FIXING POINTS.....	5
3. ASSEMBLE MOUNTING KITS	5
4. CREATE POTENTIAL EQUALISATION.....	6
5. MOUNTING THE MODULE	7

PROLINE SINGLEFIX-V MOUNTING KIT INSTALLATION GUIDE

TOOLS NEEDED

- Screwdriver with bit- and socket-wrench holder
- TX drive T40 bit
- 5W8 socket wrench

FURTHER REQUIRED DOCUMENTATION

- Calculation documents with schematic diagram, parts list and installation-related structural analysis
- System structural analysis

TIGHTENING TORQUE

- Screw connections M8: 15 Nm



Exception: self-drilling screws: with depth stop

SAFETY INSTRUCTIONS



Planning, installation and commissioning of the solar power system must only be performed by qualified technical personnel. Improper execution can result in damage to the system and premises and endanger persons.



Falling hazard! Working on the roof as well as ascending and descending poses a risk of falling. It is vital to observe accident prevention regulations and use appropriate fall protection equipment. PV mounting systems do not meet the existing normative requirements for climbing aids or fall protection measures. They are therefore neither suitable as climbing aids nor as fall protection and must not be used for these purposes.



Injury hazard! Falling objects pose a risk of injury to people. Prior to installation, set up barriers in the hazard area to warn people nearby.



Break hazard! PV modules may be damaged if stepped on or if handled inappropriately.



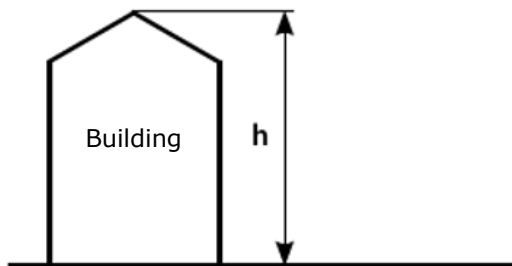
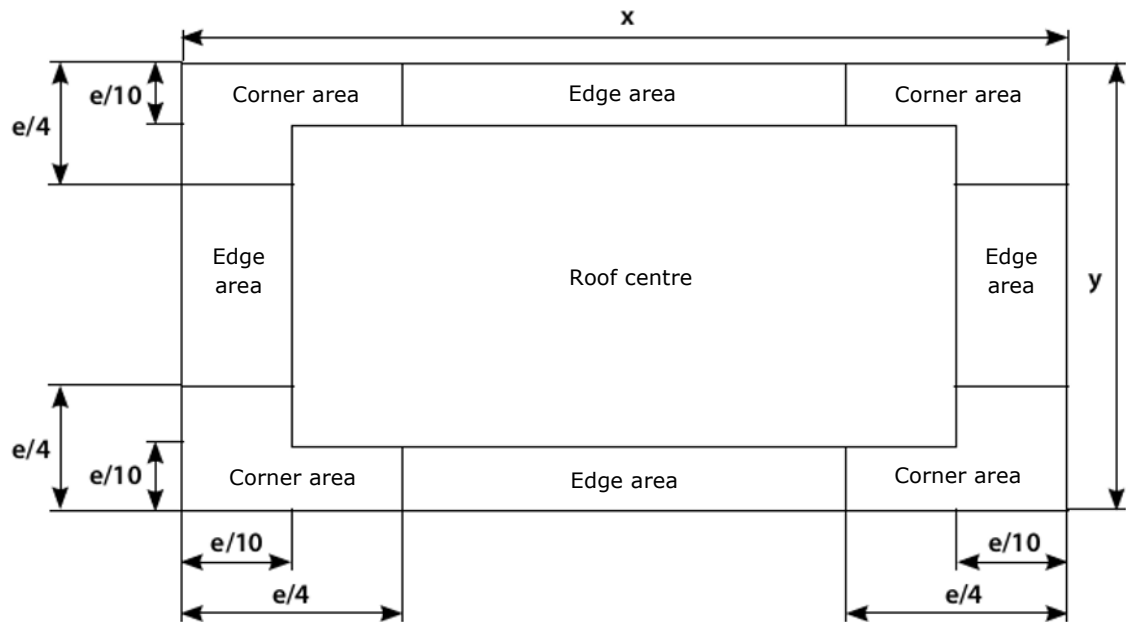
Electrical current hazard! Installation and maintenance of the PV modules must only be performed by qualified technical personnel. Observe the safety instructions issued by the PV module manufacturer!

Installation



1. DEFINE THE MOUNTING AREA

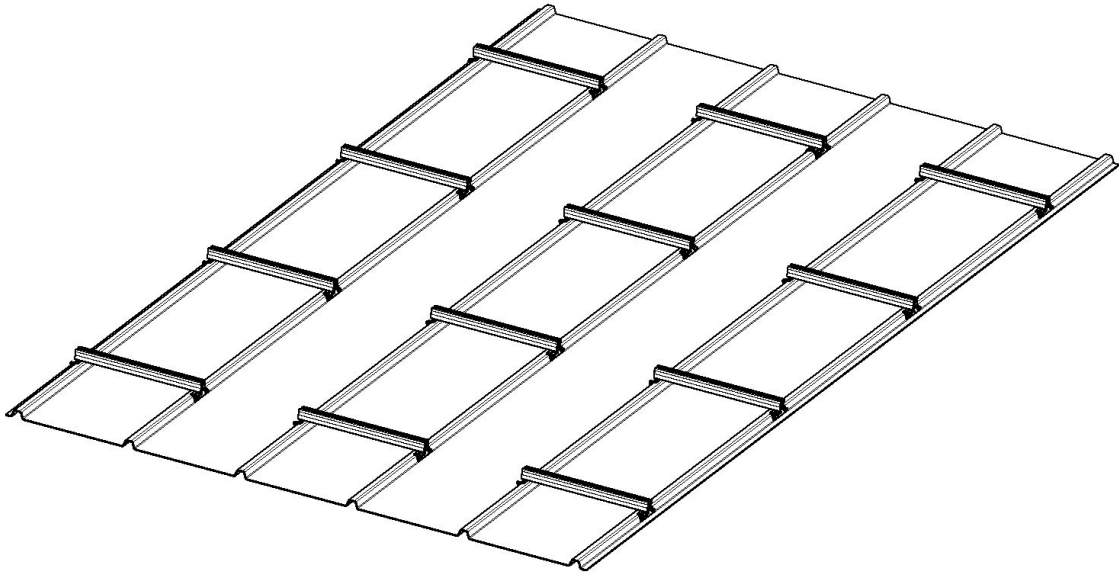
- If necessary, compress the fastener in the edge and corner areas.
- Further information in the system structural analysis.



Calculation formula:
 $e = \min (x \text{ or } y \text{ or } 2 \cdot h)$

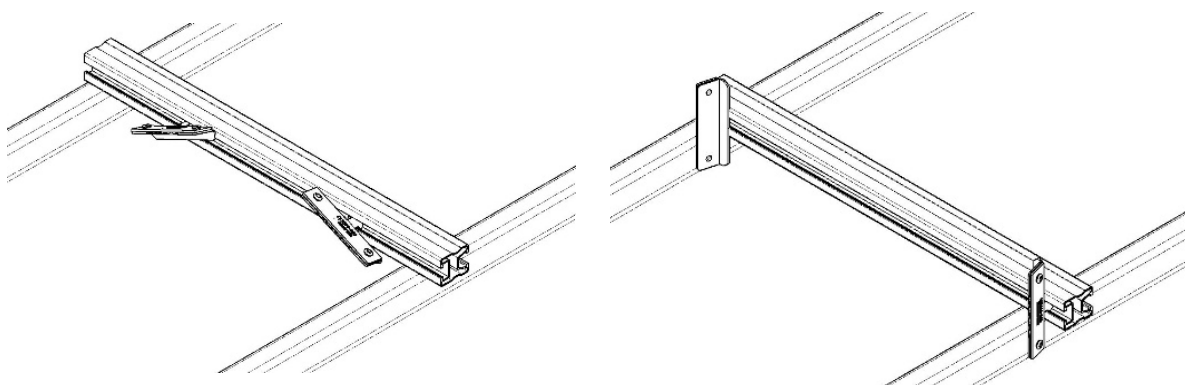
2. DEFINE FIXING POINTS

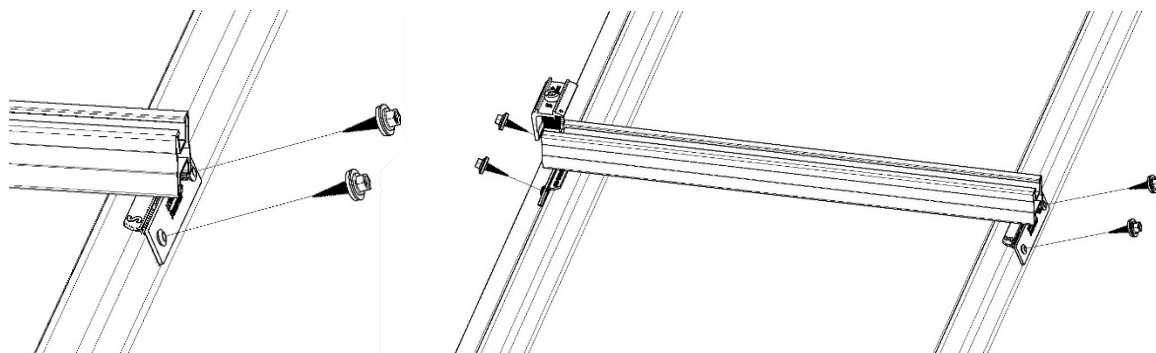
- The fixing points must be chosen in such a way that the modules later rest in the required positions so they can be fixed with end and centre clamps.



3. ASSEMBLE MOUNTING KITS

- Screw 2 SingleFix-V components each into the lower screw channel of the profile piece.
- Arrange together over 2 high beads.
- Press the SingleFix-V components sideways onto the high beads and screw tight with 2 self-drilling screws.
- Place the screws slightly inclined downwards* and slightly inclined outwards**!





Screws must not spin! Screw on until the screw sealing ring is lightly compressed.



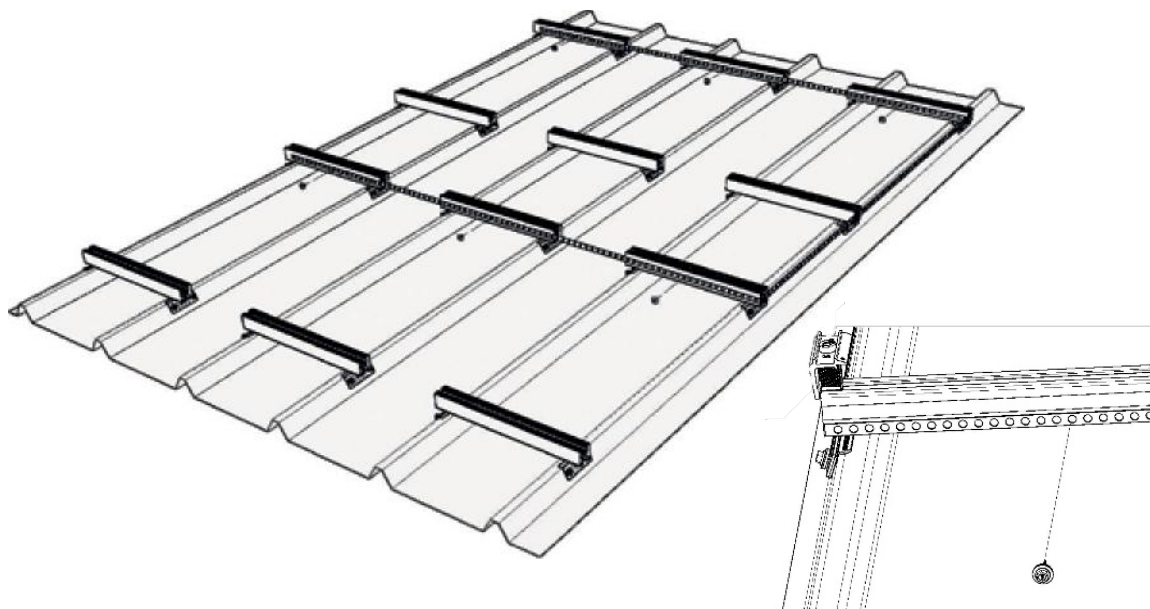
Do not screw on the SingleFix in the trapezoidal sheet joint area.



Make sure that the SingleFix lies flat.

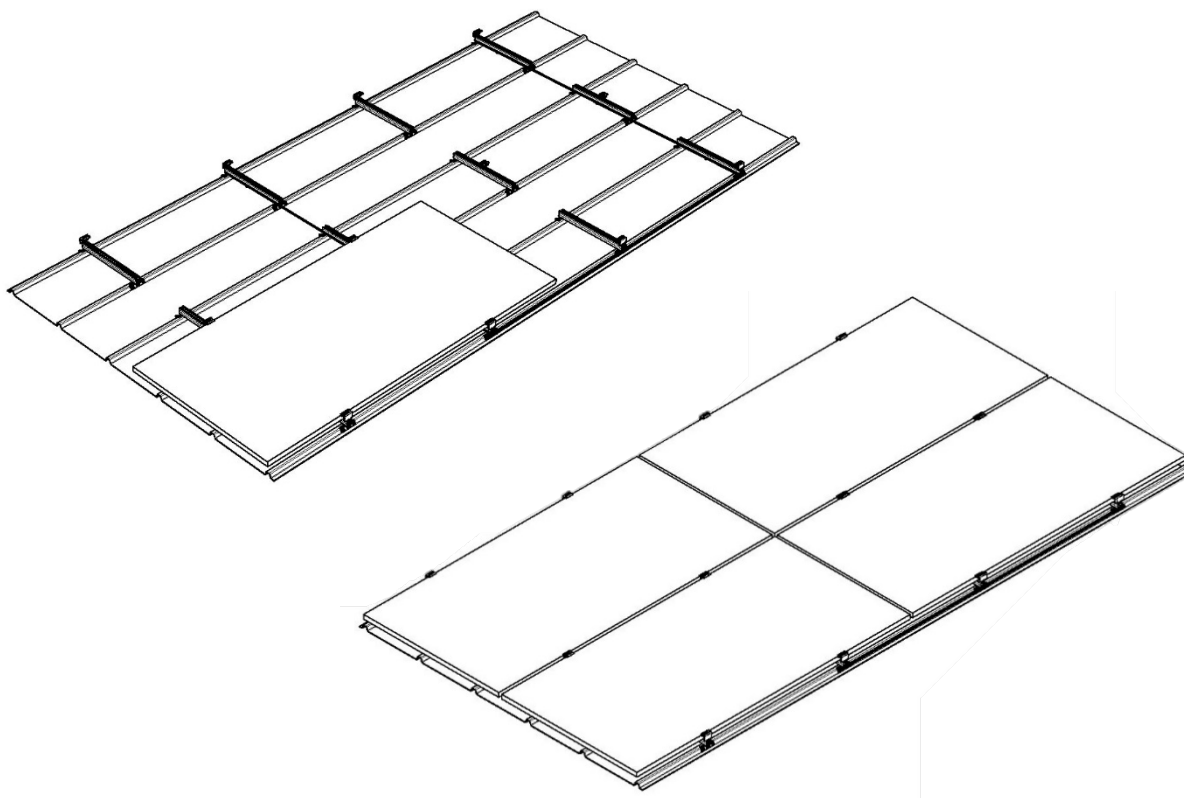
4. CREATE POTENTIAL EQUALISATION

- Connect module rows using perforated tape and self-drilling screws.



5. MOUNTING THE MODULE

- Place the first module on the profile ends.
- Fix the module with 2 end clamps.
In our example: Click in ProLine end clamps and tighten the screws (TX-drive T40).
- Connect module cables accordingly.
- Put on additional modules and fix between the modules with 2 centre clamps each.
- Tightly screw the last module of a row with 2 end clamps.



Further information regarding our systems is available on our website:
www.schletter-group.com under Downloads in the solar section.



SCHLETTER
The Solar Mounting Group

SCHLETTER SOLAR GMBH
Alustraße 1
83527 Kirchdorf
GERMANY

www.schletter-group.com

We reserve the right to changes,
including technical modification.